

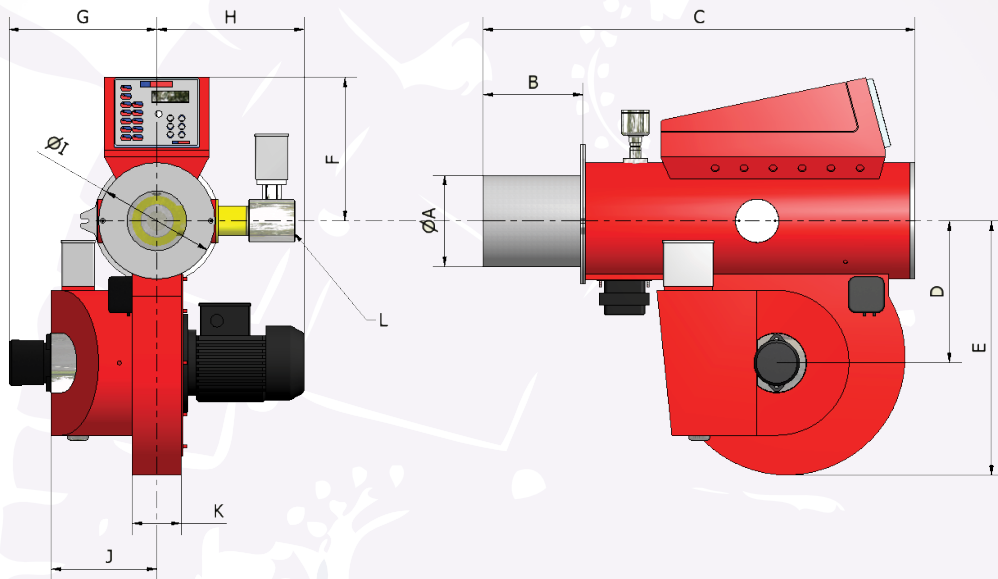


LP Burner Series

Features and benefits

- High efficiency
- Low emissions
- Compact monoblock design
- Burner mounted Autoflame Mini Mk7 or Mk7 (LP3) control pod
- High precision servo motors, with control accuracy of 0.1 degrees
- Large viewing port , giving a unique view of the combustion
- Designed, built and tested in a fully certificated ISO9001 environment

Technical Data



	LP1/220	LP1/440	LP2/586	LP2/880	LP3/1465	LP3/2051	LP3/2930
All dimension in mm and (inches) unless stated otherwise							
Burner Rating (Mbtu)	0.75	1.5	2	3	5	7	10
Burner Rating (kW)	220	440	600	880	1,500	2,050	2,930
A	116 (4.57)	138 (5.43)	164 (6.46)	182 (7.17)	189 (7.44)	254 (10)	270 (10.63)
B	160 (6.3)	160 (6.3)	200 (7.87)	200 (7.87)	348 (13.7)	348 (13.7)	348 (13.7)
C	595 (23.43)	595 (23.43)	865 (34.05)	865 (34.05)	1253 (49.33)	1253 (49.33)	1253 (49.33)
D	172 (6.77)	172 (6.77)	248 (9.76)	248 (9.76)	446 (17.56)	446 (17.56)	446 (17.56)
E	312 (12.28)	312 (12.28)	508 (20)	508 (20)	793 (31.22)	793 (31.22)	793 (31.22)
F Mini Mk7	250 (9.84)	250 (9.84)	287 (11.3)	287 (11.3)	353 (13.90)	353 (13.90)	353 (13.90)
Mk7	n/a	n/a	n/a	n/a	430 (16.93)	430 (16.93)	430 (16.93)
G	n/a	n/a	296 (11.65)	296 (11.65)	440 (17.32)	440 (17.32)	440 (17.32)
H	226 (8.90)	226 (8.90)	296 (11.65)	296 (11.65)	395 (15.55)	395 (15.55)	395 (15.55)
I	175 (6.90)	175 (6.90)	233 (9.17)	233 (9.17)	333 (13.11)	333 (13.11)	333 (13.11)
J	170 (6.69)	170 (6.69)	211 (8.31)	211 (8.31)	331 (13.03)	331 (13.03)	331 (13.03)
K	98 (3.86)	98 (3.86)	98 (3.86)	98 (3.86)	144 (5.67)	144 (5.67)	144 (5.67)
L	25mm (1")	40mm (1.5")	50mm (2")	50mm (2")	65mm (2.5")	65mm (2.5")	65mm (2.5")

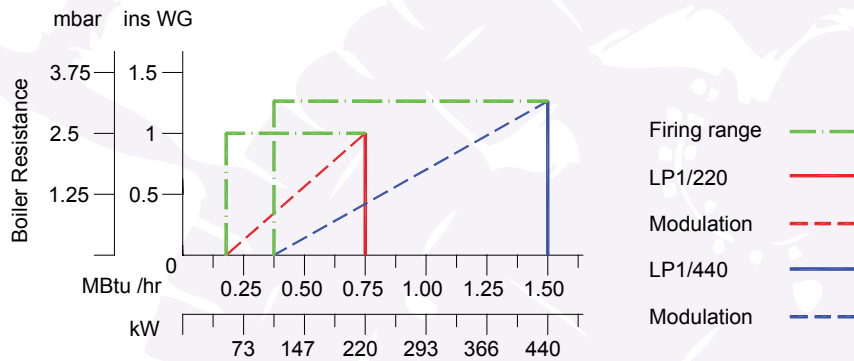


LP Burner Series

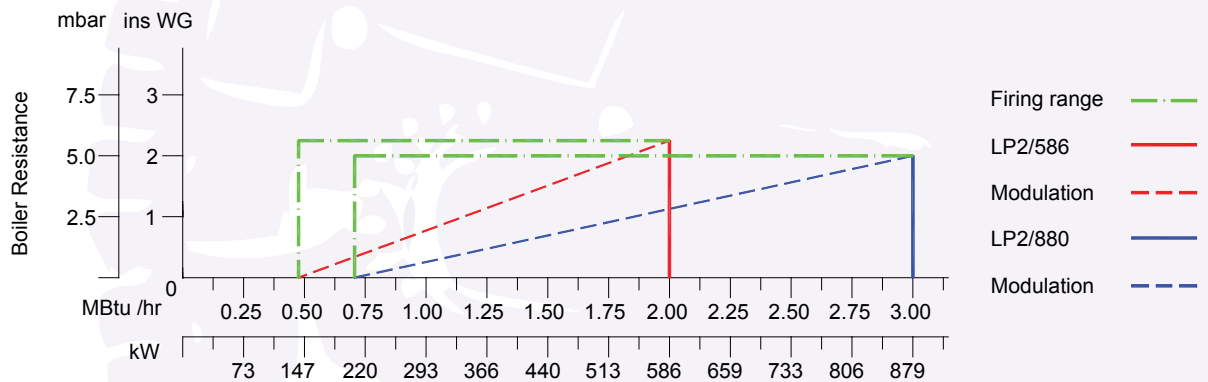
Burner performance data

The technical information detailed in the graphical representations are for guidance purposes only. Final performance criteria can only be confirmed upon receipt of all relevant technical data from the specific site that the combustion equipment is to be installed on. *We are here to help, please contact us for any further information required.*

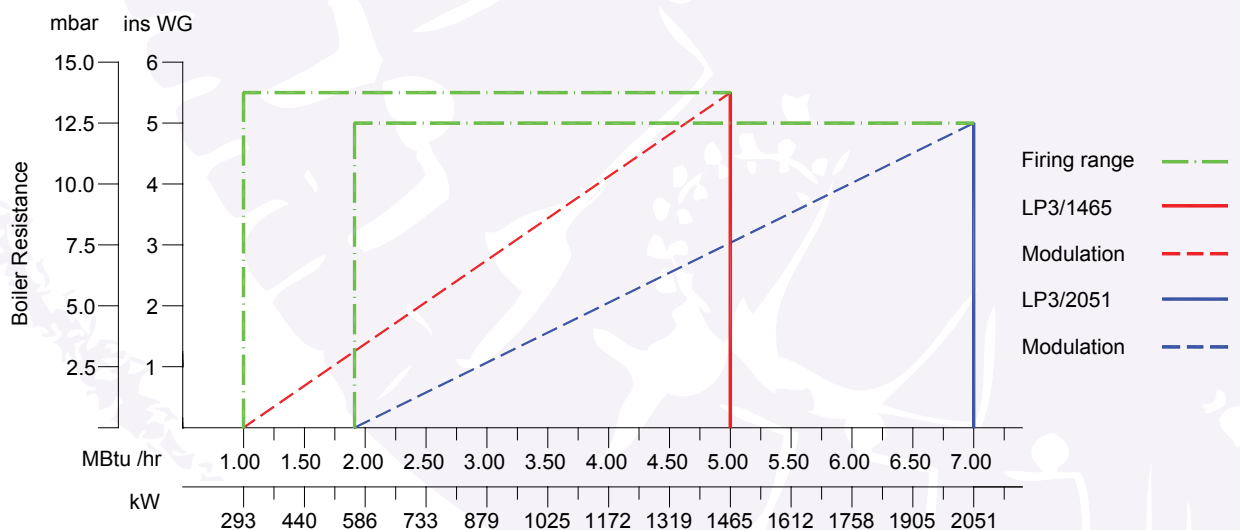
LP1 - 220 to 440 kW (0.75 - 1.5 MBtu)



LP2 - 586 to 880 kW (2 - 3 MBtu)



LP3 - 1465 to 2051 kW (5 - 7 MBtu)



Note: All graphs shown are for Natural gas firing.