

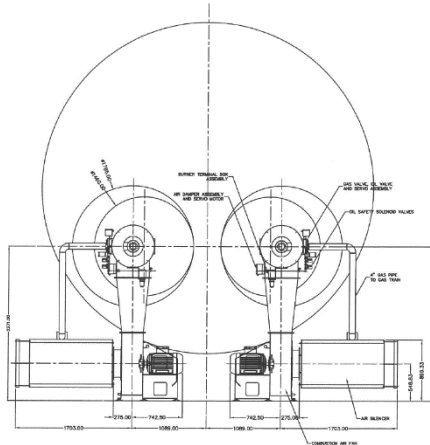
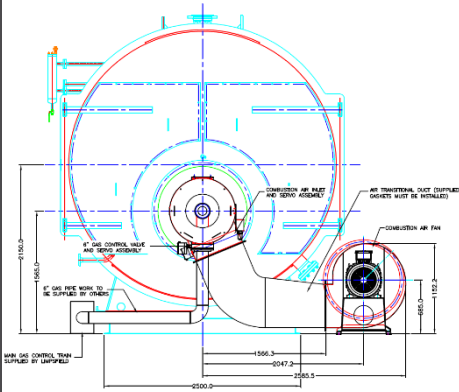


32% Fuel Savings



SAB, South Africa

South African Breweries (SAB) Beer Division's Rosslyn factory is the biggest brewery ever built by SAB and is the largest in the southern hemisphere, with a current weekly capacity of 128,000 hectoliter.



Installed Limpsfield LC200 (top), and 2 OFF LC88 (bottom) burners at SAB Rosslyn, South Africa, Photographs courtesy of Combustion Technology Ltd.

Scope of Project

Between 2012 -2013 SAB Rosslyn embarked on an aggressive program to reduce its carbon footprint and improve emission reductions by installing two new natural gas fired boilers, and converting two of the existing John Thomson coal fired boilers to natural gas firing.

The Autoflame/Limpsfield control and burner combination together with our Autoflame Exhaust Gas Analysers (EGA) has served us well and will recommend it to anybody.

Regards

Leroy Crawford – SAB Rosslyn Project Engineer

Directors

M Leyva (Chairman) (Colombian), G M Liversage, Y Maharaj, K Ngcwembe, A Quaye, A C Wolff
Company Secretary M C B Saxby

Customer:

Combustion Technology Ltd

Location:

SAB Rosslyn, Pretoria, South Africa

Boiler Type:

Multiple Firetube boilers

Burner Model:

LC44, LC88, LC200

Fuels:

*LC200 & LC88 - Natural Gas
LC44 – Natural Gas & Biogas*

Net Savings (1 year):

32% Energy Savings

Boiler efficiency increased by 13%

Further benefits:

- Consistently meeting air quality regulations
- Quieter boiler house thanks to the Air inlet Silencer
- **3% O2 levels across the complete firing range with <10ppm CO**
- New plant provides quick reaction to plant load and allows for easy maintenance

Limpsfield Combustion Engineering Ltd are the only burner manufacturer to offer performance money back guarantee through the complete firing range @ 3 % O2 sales@limpsfield.co.uk



For more information on the Limpsfield Burner range, please do not hesitate to contact us.

Website : www.limpsfield.co.uk

Tel : 00 44 (0) 1959 576 633

Fax : 00 44 (0) 1959 576 644

